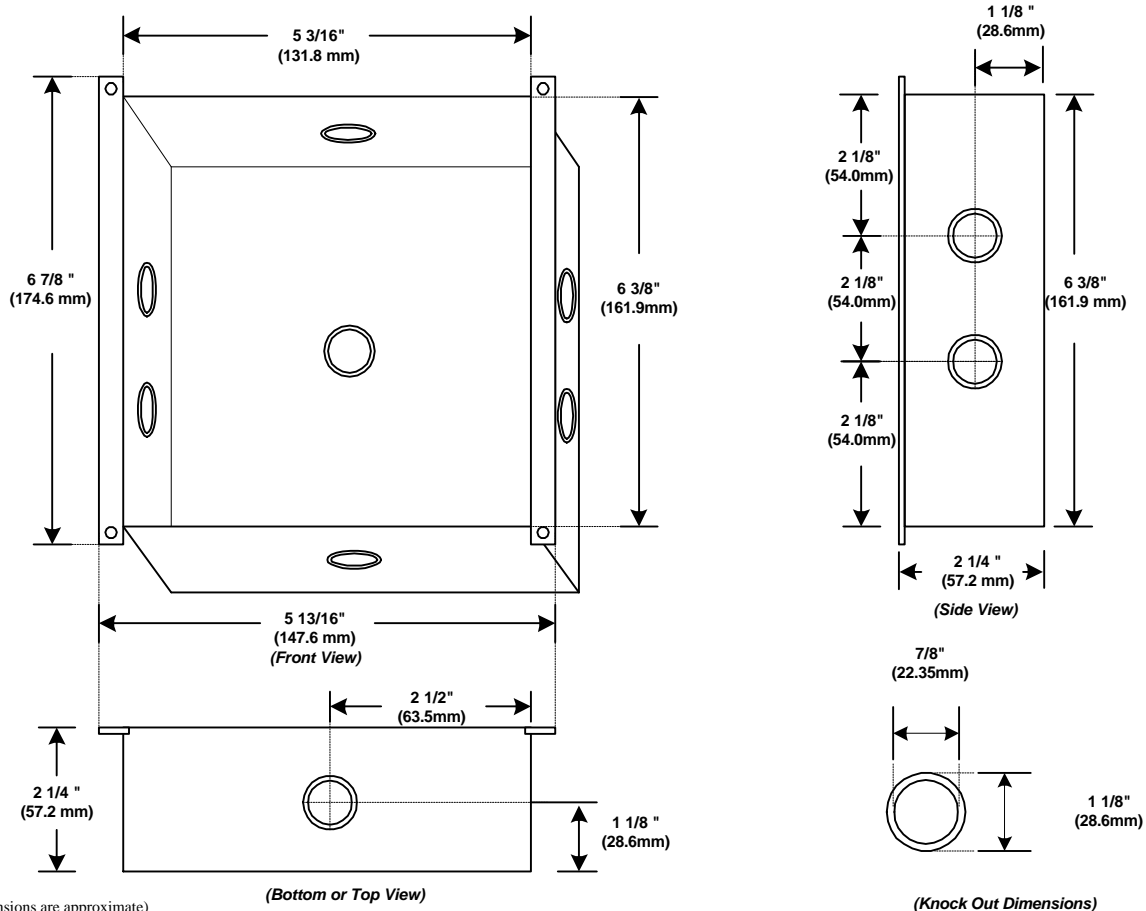




Flush Mount Box

Part # 449



Features

- Galvanized Steel Construction
- Seven (7) 1/2" or Seven (7) 3/4" Knock Outs for Conduit Connection

Description

This 449 Flush Mount Box is a custom made enclosure and can be used with several components. This box is typically used where the walls are made of sheetrock or fiberboard and allows for a very clean installation.

Material Included

Flush Mount Box	1
Madison Mounting Straps	2

Specifications

Construction	Galvanized Steel
Mounting	Two Madison Straps
Usage	204, A01280901, A02280903, A04280900