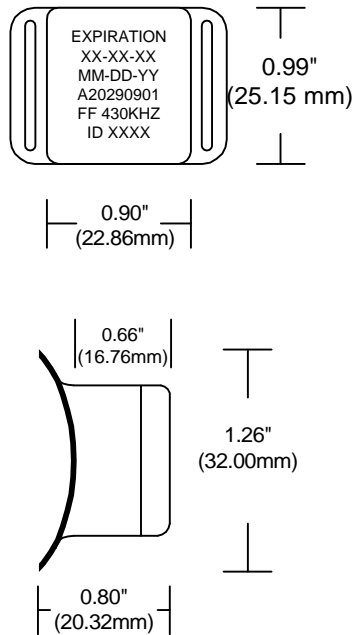




KinderGUARD® ID Transmitter

Infant Security System

Part # A20290901



(All unit dimensions are approximate.)

Description

The A20290901 is an active transmitter that is sending out a Radio Frequency (RF) Signal that contains a unique ID code. The A20290901 should transmit this RF signal for six (6) months. In the event of an alarm, the coded transmitter allows the infant to be uniquely identified. The system at the exit will consist of components that are tuned to the transmitter frequency and have the intelligence to recognize this transmitter.

The Transmitter is water tight and can be submerged in water without damaging the unit. The Transmitter has an expiration date engraved into the front cover and the unit should be disposed of properly when the expiration date has been reached. The A07280900 Tester should be used for routine testing of both transmitters and exit systems.

Features

- Light Weight
- Curved Surface for Better Fit
- Adjustable Strap
- Attractive White Case
- Six (6) Month Life Expectancy
- Active Transmission At All Times
- Water Tight
- Durable Polycarbonate Plastic
- Does Not Interfere With Other Medical Equipment
- Visible Expiration Date

Material Included

Sealed Active Transmitter	1
Hypo-allergenic, Water Proof, Transmitter Strap	1

Electrical Specifications

Power Supply	Lithium 3 Volt Battery
Operating Frequency	430 kHz
Bandwidth	2 kHz
Signal Output Power	Less than 3 microwatts
Output Signal Type	Active, Pulsed Frame Signal
Number of Avail. Codes	4000 Unique Codes Possible
Transmitter Life	6 Months

Construction Specifications

Case Construction Material	Molded, Durable, Polycarbonate Plastic
----------------------------	--