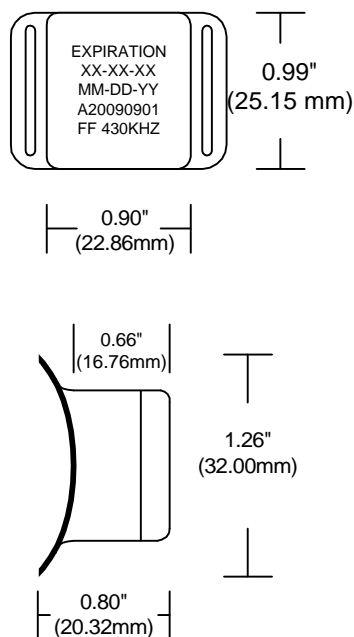




# Infant Transmitter

## Infant Security System

### Part # A20090901



(All unit dimensions are approximate.)

#### Description

The A20090901 is an active transmitter that is sending out a Radio Frequency (RF) Signal. The A20090901 should send out this RF signal for one (1) year. The system at the exit should consist of components that are tuned to the transmitter frequency and have the intelligence to recognize this transmitter. The A20090901 is water tight and can be submerged in water without damaging the unit. The A20090901 has an expiration date engraved into the front cover and the unit should be disposed of properly when the expiration date has been reached. The 707 Tester should be used for routine testing of both transmitters and exit systems.

#### Features

- Light Weight
- Attractive White Case
- Curved Surface
- Adjustable Strap
- One (1) Year Life Expectancy
- Active Transmission At All Times
- Water Tight
- Durable Polycarbonate Plastic
- Does Not Interfere With Other Medical Equipment

#### Material Included

Sealed Active Transmitter	1
Hypo-allergenic, Water Proof, Transmitter Strap	1

#### Electrical Specifications

Power Supply	Lithium 3 Volt Battery
Max. Current Draw	22 Micro Amps
Operating Frequency	430 kHz
Signal Output Power	Less than 100 microwatts
Output Signal Type	Active, Pulsed Signal
Pulse Separation	60-70 milliseconds
Pulse Length	1 millisecond

#### Construction Specifications

Case Construction Material	Molded, Durable, Polycarbonate Plastic
----------------------------	--