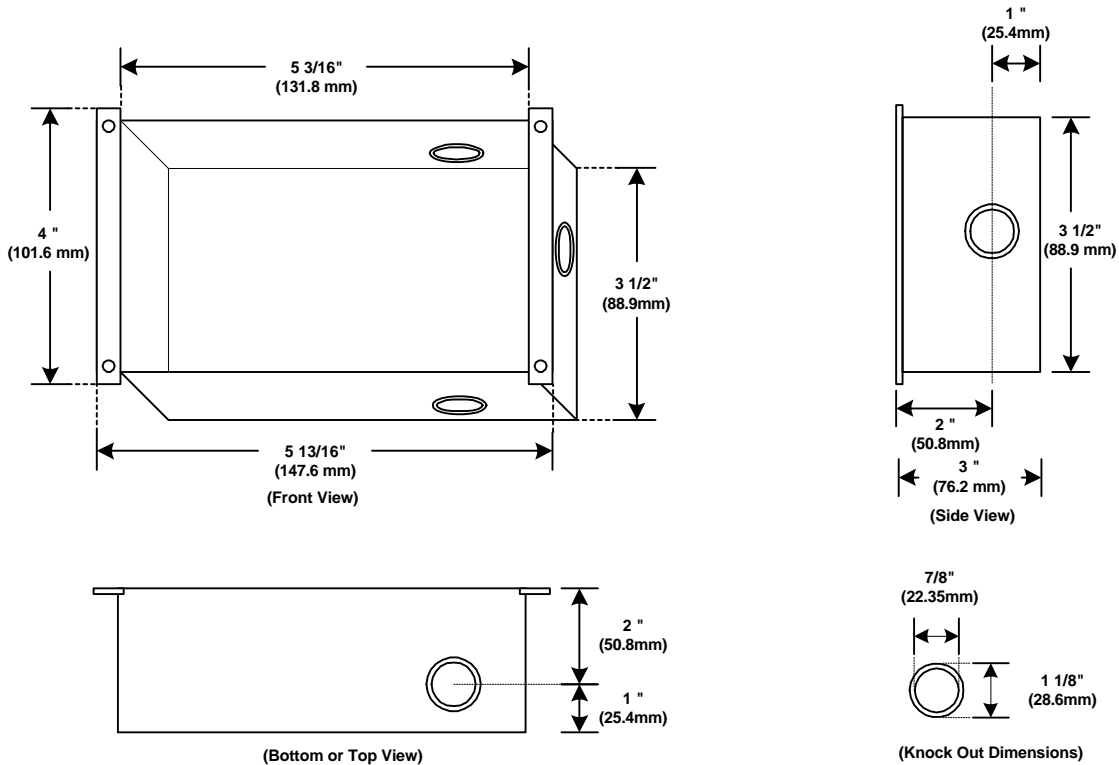




Flush Mounting Box

Part # A10000210



(All unit dimensions are approximate)

Features

- Galvanized Steel Construction
- Three (3) 1/2" or Three (3) 3/4" Conduit Knock Outs

Material Included

Flush Mount Box	1
Madison Mounting Straps	2

Description

This A10000210 Flush Mount Box is a custom made enclosure and can be used with several components. This box is typically used where the walls are made of sheetrock or fiberboard and allows for a very clean installation.

Specifications

Construction	Galvanized Steel
Mounting	Two Madison Straps
Usage	ADV 500DE, ADV 1000, ADV 1000DE, and 203