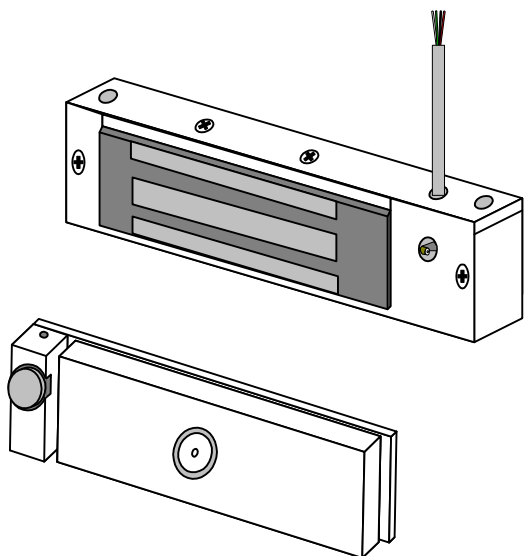




Electro-Magnetic Lock

Part # A41012900



Description

The Dortronics electro-magnetic lock is an instantaneous door control for light, narrow, or interior doors in supervised security concern areas and general traffic control systems. The lock coil is combined with a delayed egress trigger switch for ultimate facility safety. Steady, even pressure applied to the door can signal the Delayed Egress Input of any Secure Care Products, Inc. exit panel to allow for emergency exit. The Dortronics Lock is intended to be mounted on outswinging doors for use with an Secure Care Products, Inc. exit panel and complies with the NFPA 101 Life Safety Code as follows:

The lock will release within 15 seconds whenever a force of not more than 15 pounds is applied to the door for not more than 3 seconds. There shall be indication at the door that the delayed egress cycle has been activated. After the door has released, a manual reset signal shall be applied to the controller to relock the magnet (when used with the Latching Delayed Egress software feature).

Features

- Brushed Aluminum Housing
- Compact, Efficient, Easy to Install and Align
- 650 lbs. of Holding Force
- Shallow 2" Profile Provides Greater Headroom and Mounting Stability
- Low Economical Current Draw

Electrical Specifications

Input Power	12 VDC, 1 Amp Power Supply
Delayed Egress Trigger Switch	Normally Open Max. 5 amps @ 250 VAC

Mechanical Specifications

Standard Finish	Brushed Aluminum Housing
Overall Outside Dimensions	8.25" L x 1.32" W x 2.28" H
Holding Force	650 lbs. @ 12 VDC

(All unit dimensions are approximate.)

Optional Equipment

Dortronics Lock Assembly	A41012900
Lock Power Supply (12VDC / 1 Amp)	A41010901
Dortronics Lock Replacement Egress Switch (Roller Rocker Style for Newer More Narrow Lock)	A41010913
Dortronics Lock Replacement Egress Switch (Push Button Style for Older Wider Lock)	C51000002
Dortronics Armature Assembly	P41010913
Dortronics 1200 lb. Lock	P41010920
Dortronics Gate Lock w/ Delayed Egress	P41010921
Dortronics Filler Plate 1/4"	M41010201
Dortronics Filler Plate 3/8"	M41010202
Dortronics Filler Plate 1/2"	M41010203